



**QUESTIONS? CONTACT US!**

**2488 HIGHWAY 33**

**RUSTON, LA 71270**

**318-255-1834**

**INFO@ONTIMEFEEDERS.COM**

## **80 LB. T POST GRAVITY FEEDER INSTRUCTIONS**

**ITEM# 71800**

### **INSTALLATION OF HOPPER ONTO T POST / TREE**

#### **FOR T POST USE:**

**\*\*\*USE A HEAVY DUTY T POST**

**\*\*\*7 FOOT LENGTH T POST IS RECOMMENDED**

**\*\*\*7 FOOT HEAVY DUTY T POST SHOULD BE PLACED 18-20" INTO THE GROUND**

**\*\*\*BEFORE INSTALLING A T POST INTO THE GROUND CALL TO CHECK FOR UNDERGROUND UTILITIES**

**\*\*\*INSTALLING A T POST IN AREAS WITH UNDERGROUND UTILITIES (GAS, ELECTRICAL, WATER) CAN BE DANGEROUS AND FATAL**

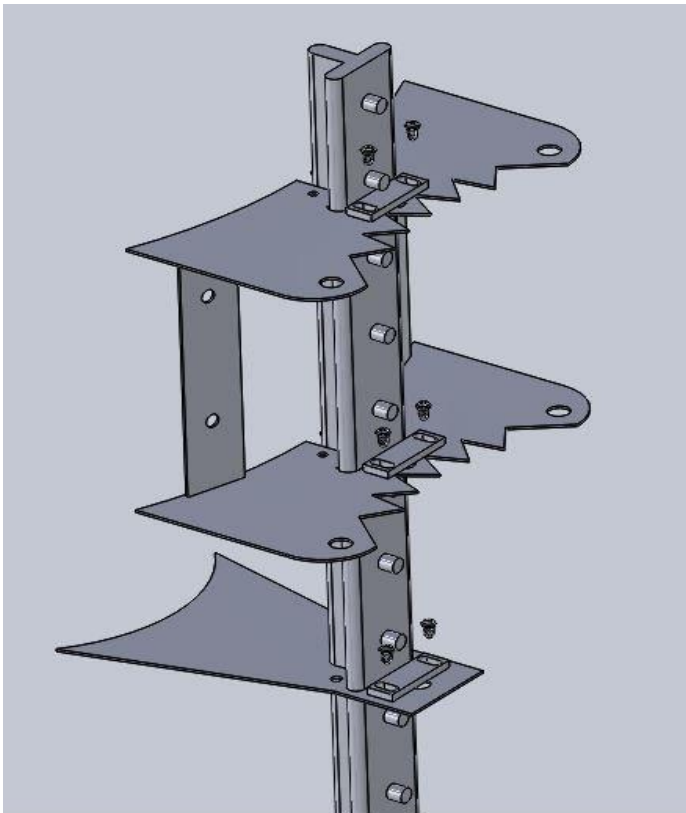


FIG. A

**STEP 1:** Slide the WISHBONE BRACKET onto the T Post.

**STEP 2:** Align the T shaped cutout on the METAL MOUNTING BRACKET on the rear of the hopper with the top of the T Post and slide down to desired height.

**STEP 3:** Place one of the RETAINERS on the top of the METAL MOUNTING BRACKET aligning the oval cutouts of the RETAINER over the two holes in the METAL MOUNTING BRACKET. Use two 1/2" PHILLIPS HEAD SCREWS to attach the RETAINER to the METAL MOUNTING BRACKET. Slide the RETAINER into the T post as far as possible and tighten screws. Repeat **STEP 3** for the bottom of the METAL MOUNTING BRACKET. SEE FIG. A

**STEP 4:** Slide the WISHBONE BRACKET up the T post connecting the curve to the neck of the hopper tube. Place the remaining RETAINER over the two holes in the WISHBONE BRACKET aligning the oval cutouts of the RETAINER over the two holes in the WISHBONE BRACKET. Use two 1/2" PHILLIPS HEAD SCREWS to attach the RETAINER to the WISHBONE BRACKET sliding the RETAINER into the T post as far as possible and tightening the screws.

**STEP 5:** After hopper is secured to T Post/tree slide and twist the nozzle tube onto the neck of the hopper until it locks into place with the feed stop positioned at the bottom.

**FOR TREE USE:** Use nylon straps (not included) in the four corner holes of the METAL MOUNTING BRACKET.