



INSTRUCTIONS

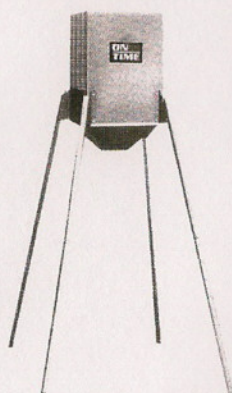
CUSTOMER SERVICE
M-F 8AM-5PM
CENTRAL TIME ZONE
800-488-3006

SPECIAL NOTES PLEASE READ FIRST

PLEASE NOTE: THIS UNIT MUST BE ON LEVEL GROUND.
IF USED ON UNEVEN GROUND, THE LEGS MUST BE LEVELED
. IF USED WITHOUT LEVELING, THE UNIT CAN TWIST, AND CA
PROBLEMS WITH THE FIT OF THE LID OR TOP

NOTE: WHEN INSTALLING THE LEGS INTO THE
RECEIVER BRACKETS ON THE UNIT. BE SURE TO
INSTALL THE LARGE END OF LEG INTO THE
BRACKET. (THE SMALL END SHOULD BE IN A
DOWN POSITION

MODEL S 250™



250 POUND CAPACITY (CORN)

STEP # 1 INSTALLING THE 4 SIDE PANELS TO MAKE-UP THE BOX PORTION OF HOPPER.

LOCATE 4 SIDE PANELS

USING 20 TOTAL (5 PER PANEL) PHILLIPS HEAD SHEET METAL SCREWS. INSTALL PANELS AS ILLUSTRATED IN FIG. 1. MAKE SURE THE TAB PORTION OF THE PANEL GOES TO THE INSIDE OF THE HOPPER.

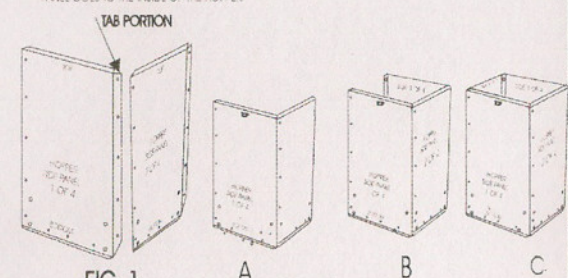
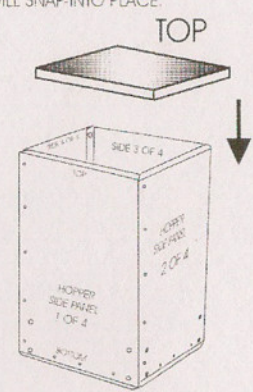


FIG. 1

INSTALL PANELS IN SEQUENCE A-C

STEP # 2

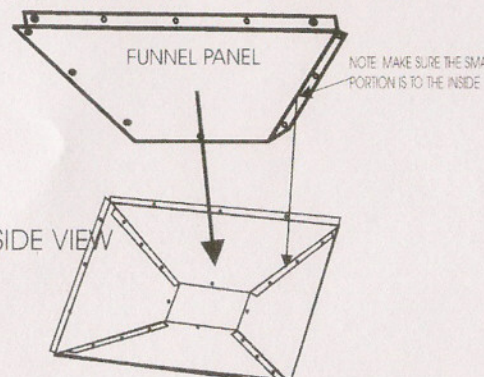
INSTALL TOP. PUSH DOWN AT EACH CORNER TOP WILL SNAP-INTO PLACE.



STEP # 3

USE QTY OF 12 PHILLIPS SHEET METAL SCREWS TO INSTALL THE 4 FUNNEL PANELS

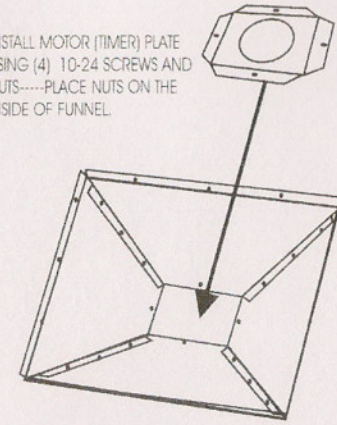
INSTALL THE 4 FUNNEL PANELS TO FORM THE BOTTOM FUNNEL.



NOTE: MAKE SURE THE SMALL TAB PORTION IS TO THE INSIDE

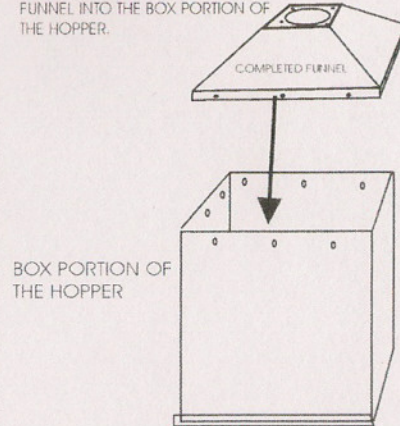
STEP # 4

INSTALL MOTOR (TIMER) PLATE USING (4) 10-24 SCREWS AND NUTS-----PLACE NUTS ON THE INSIDE OF FUNNEL.



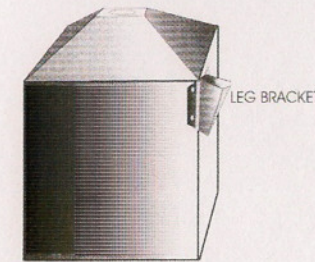
STEP # 5 UNIT SHOWN UPSIDE DOWN

USING 12 PHILLIPS HEAD SHEET METAL SCREWS, INSTALL THE COMPLETED FUNNEL INTO THE BOX PORTION OF THE HOPPER.



STEP # 6

USING (16) FOUR PER LEG. 1/4" BOLTS WITH NUTS, INSTALL THE FOUR LEG BRACKETS AT EACH CORNER.



800-488-3006